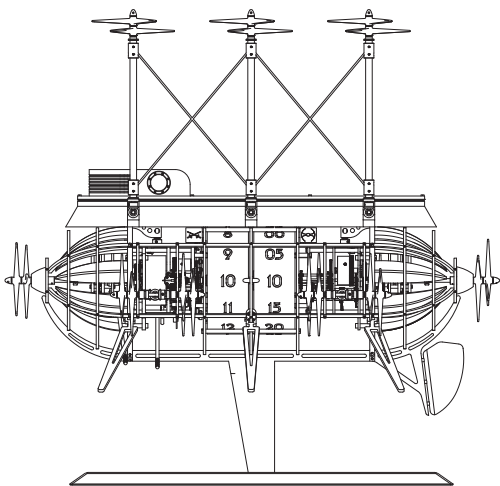


ALBATROSS

USER INSTRUCTIONS




L'EPÉE
1839

| **MB&F**

CONGRATULATIONS

You have just acquired Albatross, an advanced timepiece created from a partnership between L'Epée 1839 and MB&F.

Albatross has been developed with passion and care by our master watchmakers in Delémont – Switzerland

CONTENTS

Important information	4 - 6
Care and maintenance	7
Time Setting	8
Hours and minutes display	9
Winding the timekeeping movement & the striking hour	10
Winding the animation	11
Activating the striking hour & the animation	12
On demand striking hour	14

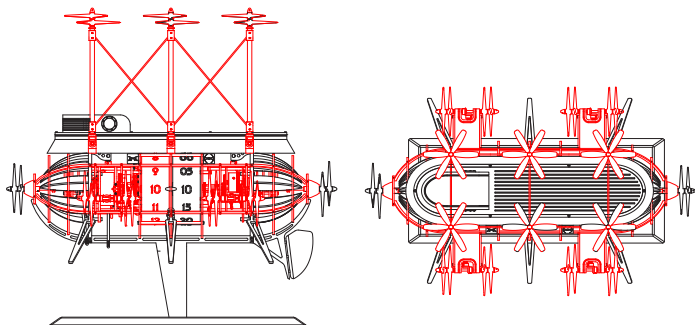
IMPORTANT INFORMATION

Please be very careful to never touch the red components pictured below.

The movement should never be in contact with any liquids - even in vaporized form. If it occurs, the clock should be serviced immediately.

A simple contact on certain pieces can generate delays in timekeeping, which can only be solved by servicing.

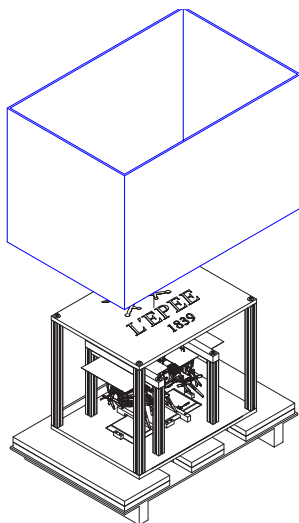
Fingerprints will also damage the coating.



TRANSPORTATION

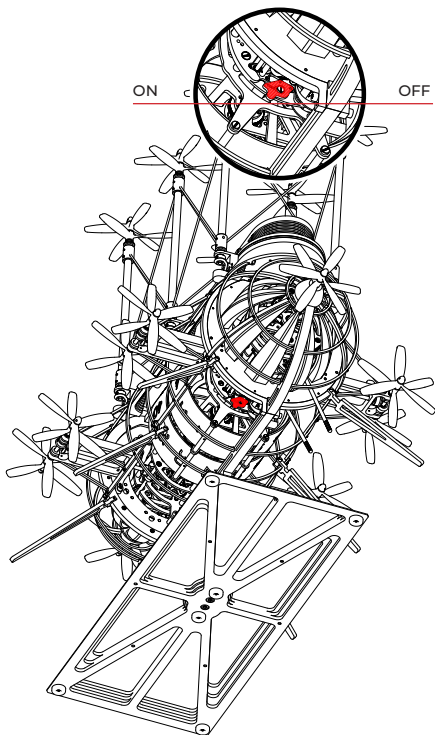
- ⚠ All three movements (Striking hour, Animation and Hours & Minutes) need to be completely un-wound during transportation
- ⚠ Do not transport Albatross outside of its case.

See annexe manual for unboxing instructions



! (For servicing) Only watchmaking professionals should operate this control.

The button beneath the clock allows for completely switching the striking and animation mechanisms ON or OFF.



CARE AND MAINTENANCE

Use only a soft and dry cloth to clean the clock. Dust and particles contained in the cloth could scratch parts. Do not use any kind of cleaning products to wipe the clock . It is recommended to keep the clock distant from any source of heat or vibrations. To preserve the longevity and functionality of Albatross, do not permanently expose the clock to direct sunlight or in a humid or dusty place.

Our clocks are developed to ensure optimal accuracy and reliability. It is well accepted for a fine mechanical clock to have a few seconds' variation per day and our clocks are set so as not to delay. However if you should notice a bigger variation, please contact an authorized dealer who will advise you, or a L'Épée 1839 technical support center which will proceed with the necessary adjustment.

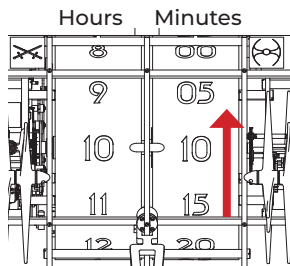
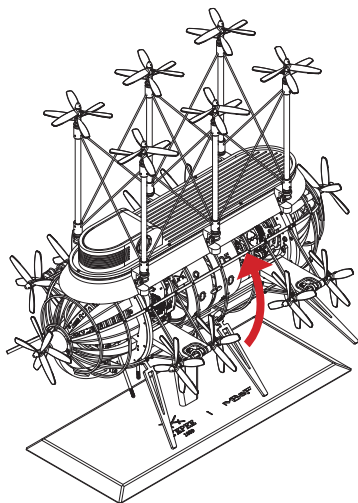
As for all Horological pieces of art, it is recommended to periodically service your clock. A mechanical masterpiece requires fine oils for the lubrication of the movement. These oils deteriorate over the years. We therefore advise having the movement serviced every 3 to 5 years. Be aware that the optimal period between servicing times can vary depending on the surrounding environmental conditions.

TIME SETTING

To set the time, gently turn the minutes cylinder **clockwise (towards the top)** until the correct time is set.

Be careful :

- ⚠ - Not to turn the minutes disc **anti-clockwise**
- Not to move the hours disc

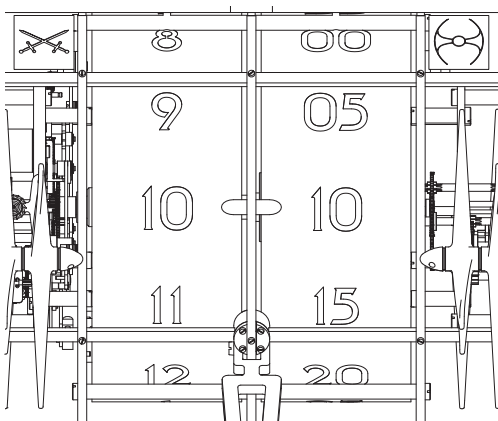


HOURS AND MINUTES DISPLAY

Hours and minutes are displayed on two rotating discs. The current time is indicated by a fixed needle in between the two discs.

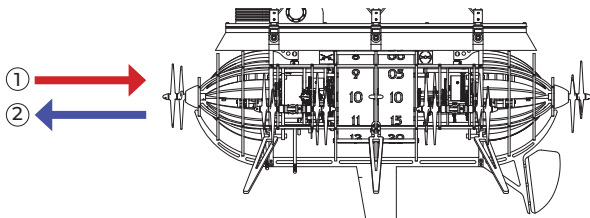
Example:

Here it is 10:10



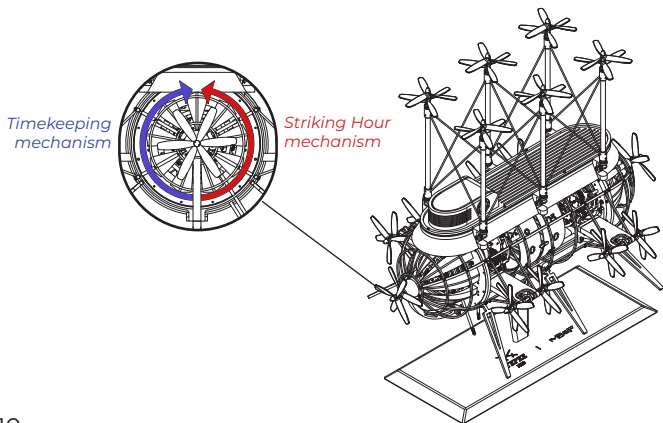
WINDING THE TIMEKEEPING MOVEMENT & THE STRIKING HOUR

1. To activate the winding mechanism, **push** the front propellers toward the crown, **pull** them back out after winding



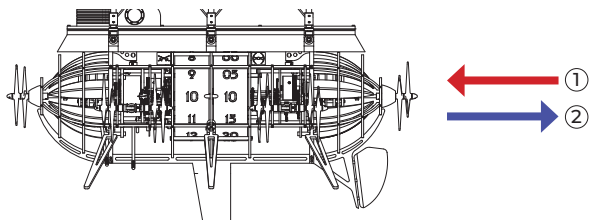
2. Rotate the crown :

- **Clockwise** to wind the **timekeeping movement**
- **Anti-clockwise** to wind the **striking hour**

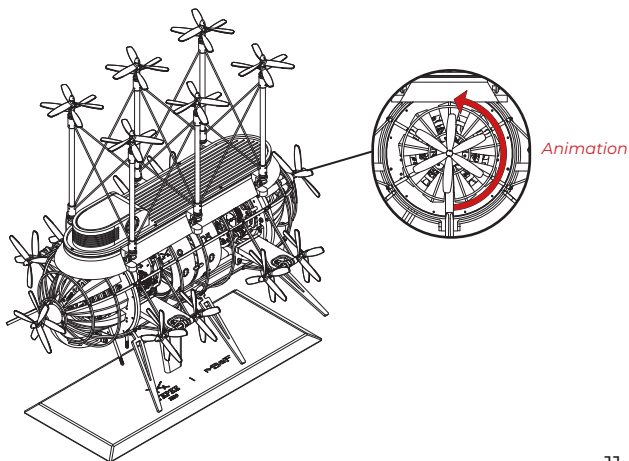


WINDING THE ANIMATION

1. To activate the winding mechanism, **push** the back propellers toward the crown, **pull** them back out after winding



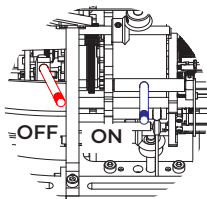
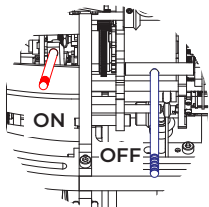
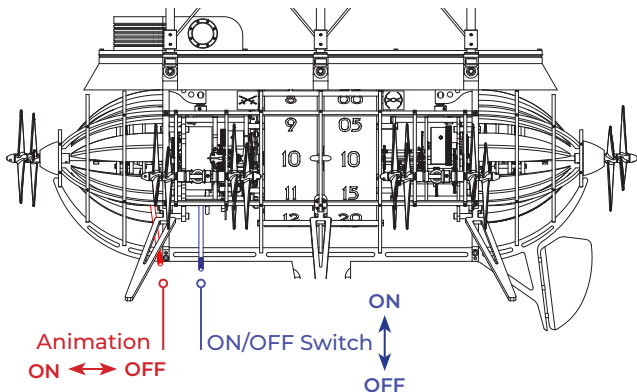
2. Rotate the crown **anti-clockwise** to wind the movement of the animation

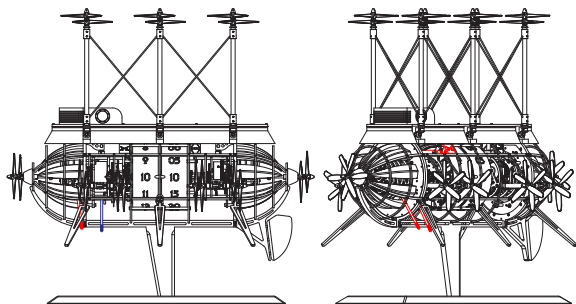


TWO LEVERS : FOUR CONFIGURATIONS

The two levers at the bottom of the clock can be set in 4 different configurations.

The left lever activates the animation of the propellers, while the right lever serves as an ON/OFF switch.

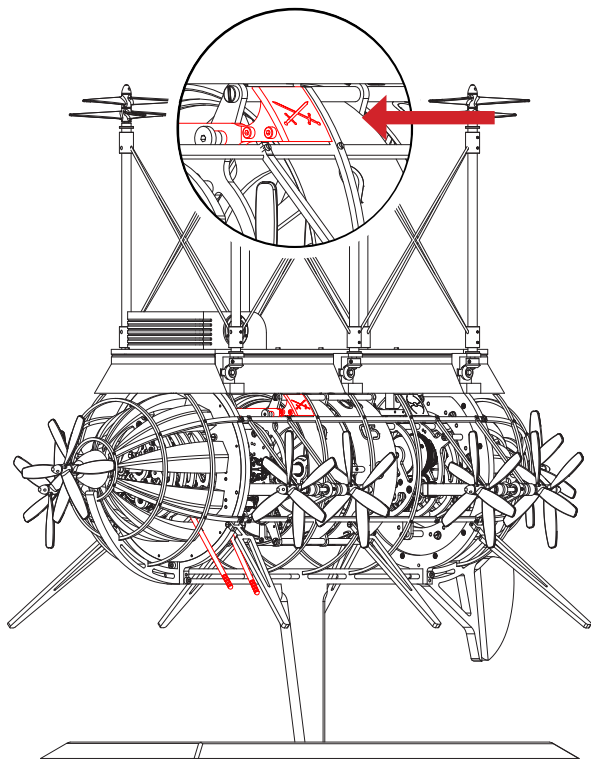




	LEVERS				ACTION (every 30 min)	PUSH THE "ON DEMAND" BUTTON
	LEFT		RIGHT			
	LEFT	RIGHT	UP	DOWN		
Configuration 1	X		X		Striking mechanism works, propellers turn.	Striking mechanism rings the last hour/half hour again and the propellers turn simultaneously.
Configuration 2		X	X		Striking mechanism works, propellers do not turn.	Striking mechanism rings the last hour/half hour again.
Configuration 3		X		X	Striking mechanism doesn't work, propellers do not turn.	Nothing happens.
Configuration 4	X			X	Striking mechanism doesn't work, propellers do not turn.	Propellers turn continuously. Ways to stop them : - Wait until the barrel is empty. - Change the position of the left lever (return to configuration 3), propellers will restart immediately switching back to configuration 4. - Change the position of the right lever (return to configuration 1), the striking mechanism will ring to resynchronise.

THE ON DEMAND BUTTON

The *on demand button* can be pushed to repeat the striking hour and/or the animation.



L'Epée 1839

Swiza Sa Manufacture
Rue St-Maurice 1
PO BOX 340
2800 Delémont
Switzerland

Customer Service:
Tel. +41 (0)32 421 94 05
E-mail: sav@swiza.ch

www.lepee1839.com